

**ORDERING INFORMATION**

CODE	PRODUCT CODE	DESCRIPTION	PRODUCT NUMBER	CARTON QTY	WEIGHT (NET/GROSS)
01810	EV-PEARL-WP	Pearl Circular IP65 - 15W	9336462018101	4	1.6 Kg / - Kg
01814	EV-PEARL-WP-S	Pearl Circular IP65, with sensor - 15W	9336462018149	4	1.65 Kg / - Kg
01811	EV-PEARL-WP-PRO	Pearl Circular IP65 Pro - 25W	9336462018118	4	2.45 Kg / - Kg
01815	EV-PEARL-WP-PRO-S	Pearl Circular IP65 Pro, with sensor - 25W	9336462018156	4	2.5 Kg / - Kg

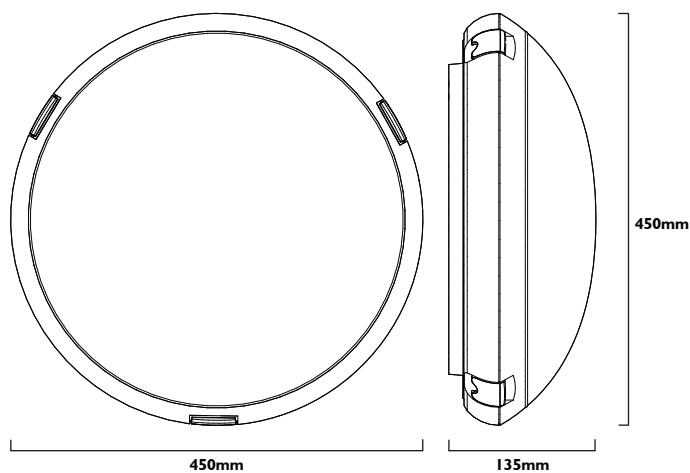
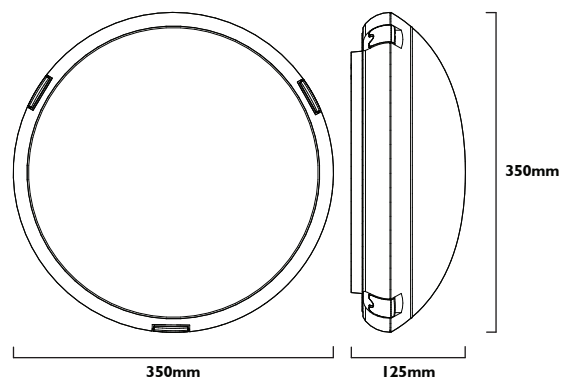
**OPERATIONAL INFORMATION**
**GENERAL**

Voltage	220~240V	Mounting type	Surface mount (wall and ceiling)	Lumen output	1095 lm (350mm)
Frequency	50 Hz	Wiring	Hard wired		1682 lm (450mm)
Ambient temp.	0 - 40°C	Sensor max. output	400W max		
Class	I				
IP rating	IP65				

**CONSTRUCTION AND DIMENSIONS**

<b>BODY</b>	ABS
<b>DIFFUSER</b>	PC
<b>GEAR TRAY</b>	Powder coated steel

**NOTE:** For more information on the chemical resistance of our polycarbonate, please see the technical downloads page at [ektor.com.au](http://ektor.com.au)

**PEARL CIRCULAR IP65 PRO**

**PEARL CIRCULAR IP65**

**ACCESSORIES**

CODE	ORDER CODE	DESCRIPTION
11887	ZC-MW-BASIC	Microwave sensor 1.6m, internal kit Mains rated microwave sensor for mounting in enclosure, compact form factor

TOTAL POWER CONSUMPTION (TPC)					
MODEL	LED WATTAGE	LAMP ON		LAMP OFF	
		MAX.	AVG.	MAX.	AVG.
Pearl Circular IP65 (01810)	15W	18W	-	-	0.25W
Pearl Circular IP65, with sensor (01814)	15W	19W	-	0.5W	0.5W
Pearl Circular IP65 Pro (01811)	25W	26W	-	-	-
Pearl Circular IP65 Pro, with sensor (01815)	25W	27W	-	0.5W	0.5W

Datasheet is subject to change without notice

Last updated: **10. July 2018\_V1.1**