



PEARL CIRCULAR IP65

NON-EMERGENCY WEATHERPROOF OYSTER



FEATURES

- IP65 Rating
- Non-Emergency model
- With and without sensors



WALL / SURFACE MOUNT

Can easily be mounted on the wall or ceiling



IP65

The Pearl Circular has an IP rating of IP65

ORDERING INFORMATION

CODE	PRODUCT CODE	DESCRIPTION	PRODUCT NUMBER	CARTON QTY	WEIGHT (NET/GROSS)
01810	EV-PEARL-WP	Pearl Circular IP65 - 15W	9336462018101	4	1.6 Kg / - Kg
01814	EV-PEARL-WP-S	Pearl Circular IP65, with sensor - 15W	9336462018149	4	1.65 Kg / - Kg
01811	EV-PEARL-WP-PRO	Pearl Circular IP65 Pro - 25W	9336462018118	4	2.45 Kg / - Kg
01815	EV-PEARL-WP-PRO-S	Pearl Circular IP65 Pro, with sensor - 25W	9336462018156	4	2.5 Kg / - Kg

OPERATIONAL INFORMATION

GENERAL

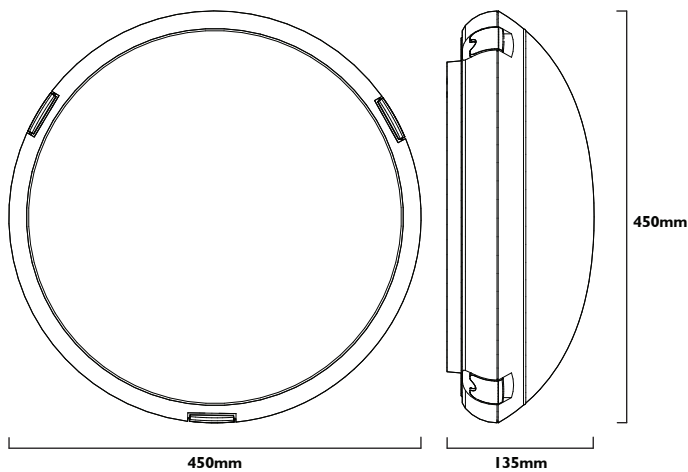
Voltage	220~240V	Mounting type	Surface mount (wall and ceiling)	Lumen output	1095 lm (350mm)
Frequency	50 Hz	Wiring	Hard wired		1682 lm (450mm)
Ambient temp.	0 - 40°C	Sensor max. output	400W max		
Class	I				
IP rating	IP65				

CONSTRUCTION AND DIMENSIONS

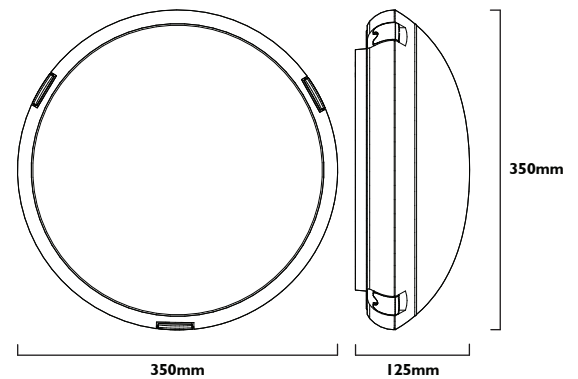
BODY	ABS
DIFFUSER	PC
GEAR TRAY	Powder coated steel

NOTE: For more information on the chemical resistance of our polycarbonate, please see the technical downloads page at ektor.com.au

PEARL CIRCULAR IP65 PRO



PEARL CIRCULAR IP65



ACCESSORIES

CODE	ORDER CODE	DESCRIPTION
11887	ZC-MW-BASIC	Microwave sensor 1.6m, internal kit Mains rated microwave sensor for mounting in enclosure, compact form factor

Datasheet is subject to change without notice

Last updated: 23. July 2018_V1.2